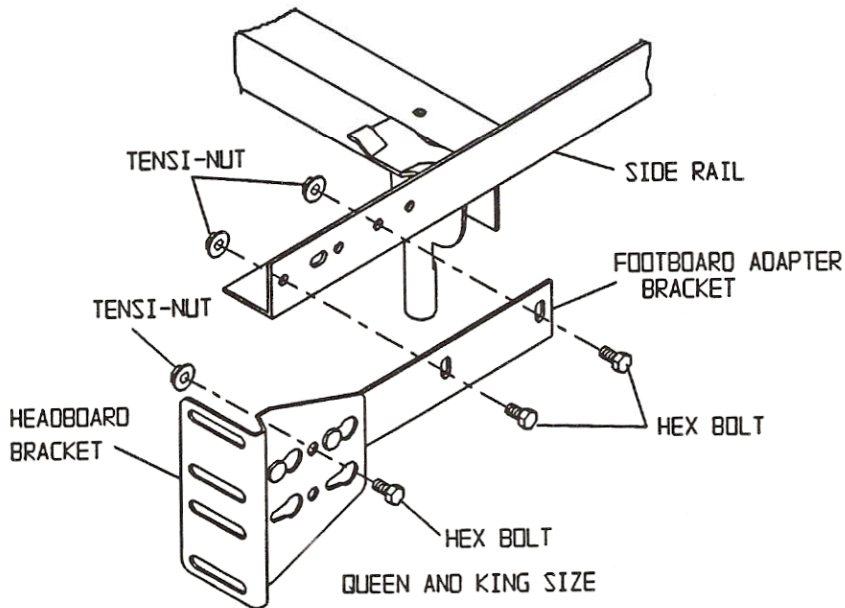


**75 ADAPTER KIT FOR
ADJUSTABLE WATER BED
ASSEMBLY INSTRUCTIONS**

DRAWING 1



STEP 1: Attach footboard adapter bracket to side rail using two hex bolts and two tensi nuts. (If attaching queen, king size use holes shown in drawing 1, if attaching twin, full size use slot and hole as shown in drawing 2.)

STEP 2: Secure headboard bracket to footboard adapter bracket using one tensi nut and one hex bolt as shown in drawings 1 and 2.

DRAWING 2

