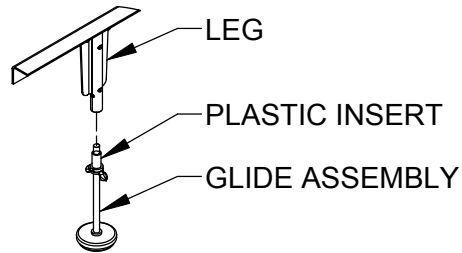


515 CONVERTER RAIL ASSEMBLY INSTRUCTIONS

Figure 1



Step 1: Tap GLIDE ASSEMBLY into LEG until PLASTIC INSERT is fully seated. See Figure 1.

Step 2: Attach SIDE RAILS to headboard and footboard. If installing hook-on rails, make sure that the hook-on brackets grip the post pins. If installing bolt-on rails, make sure all nuts and bolts are securely tightened.

Step 3: Swing out CROSS ARMS and slide CLAMP onto SHORT CROSS ARM as shown in Figure 2.

Step 4: Overlap cross arms with the SHORT CROSS ARM on top of the LONG CROSS ARM.

Step 5: Slide CLAMP onto overlapped cross arms. Position CLAMP one inch from the end of the LONG CROSS ARM and tighten. See Figure 3.

Step 6: Adjust glide height to clear the floor or carpet surface by 1/4 inch. Lock glides in place by turning wing nuts tight against the plastic inserts.

Step 7: Attach each of the four RETAINER BRACKETS to the SIDE RAIL as detailed in Figure 4. Position the box spring on the side rails and adjust retainer brackets for tight fit. Lock RETAINER BRACKETS in place by tightening WING NUTS.

Figure 2

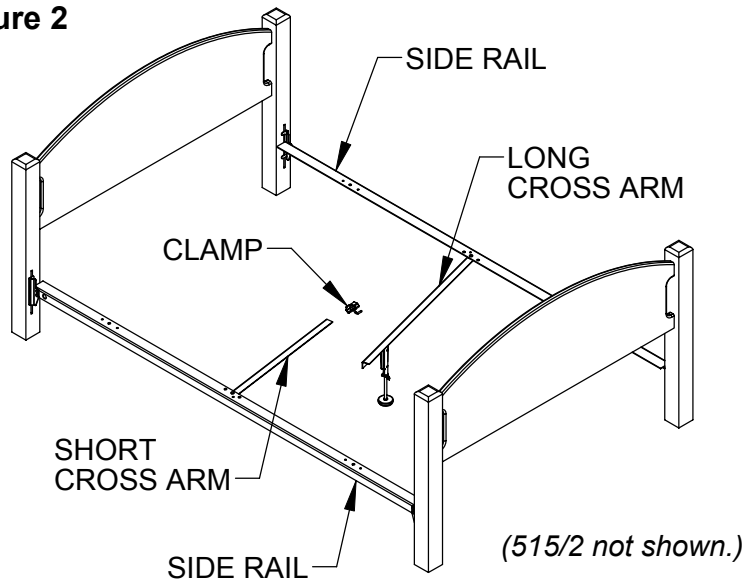


Figure 3

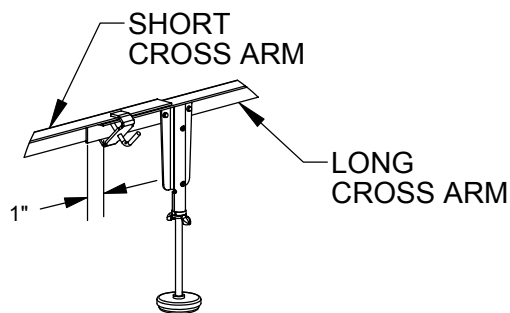


Figure 4

