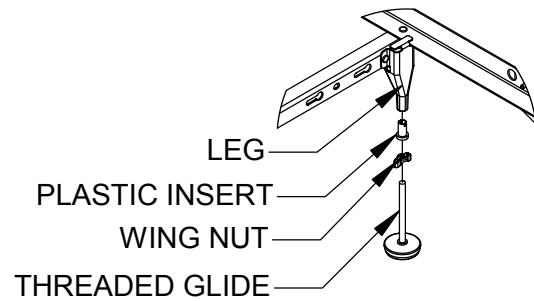


734 ASSEMBLY INSTRUCTIONS

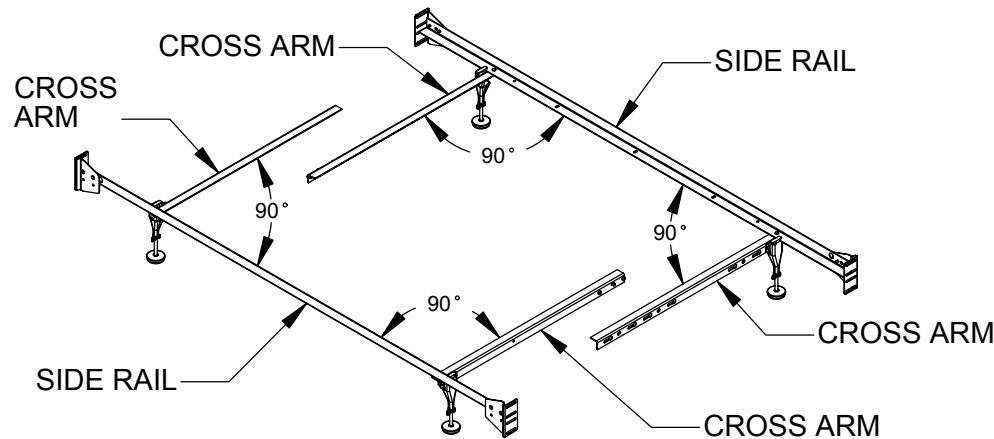
Figure 1



STEP 1 To install THREADED GLIDES, tap PLASTIC INSERTS into LEGS as shown in Figure 1. With flat surface up, thread WING NUTS onto THREADED GLIDES, then screw THREADED GLIDES about halfway into PLASTIC INSERTS.

STEP 2 Swing out CROSS ARMS 90 degrees as shown in Figure 2.

Figure 2

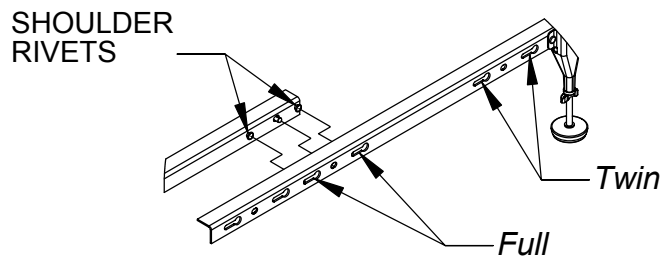


STEP 3 Determine desired bedding size (Twin or Full). Slide SHOULDER RIVETS into proper keyholes as indicated in Figure 3. **Note: Both rivet heads must engage in keyhole slots.**

STEP 4 Attach bed frame to headboard and footboard.

STEP 5 Adjust THREADED GLIDES so they touch the floor. Tighten all WING NUTS. **Note: There must be at least 1" of the glide stem in the plastic insert.**

Figure 3



Leggett & Platt
INCORPORATED

DATE
6-17-04

DWG. NO. **99300282**

DO NOT SCALE DRAWING SHEET 1 OF 1