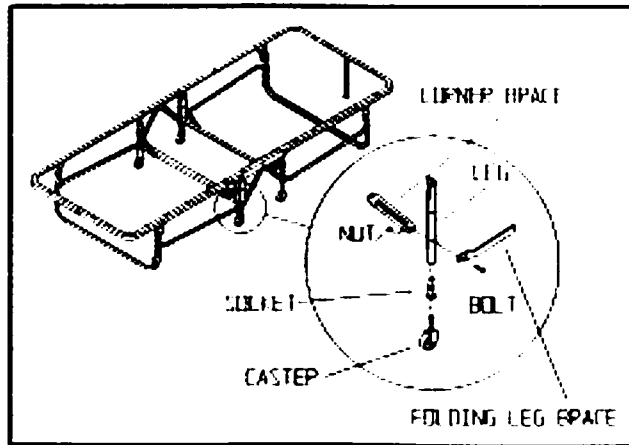


ASSEMBLY INSTRUCTIONS

1220 KD SERIES



STEP 1.

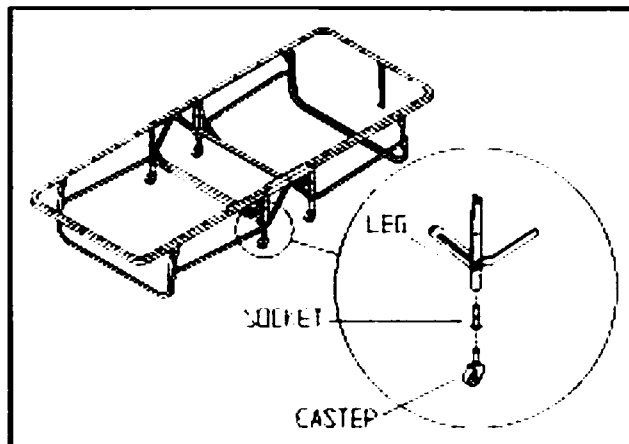
ATTACH CORNER BRACE AND THE FOLDING LEG BRACE TO THE LEG WITH THE NUT AND BOLT AS SHOWN IN DIAGRAM ABOVE.

STEP 2.

PUSH PLASTIC INSERT INTO BOTTOM OF LEG, AND PUSH THE CASTER INTO THE INSERT.

REPEAT ABOVE PROCEDURE WITH ALL FOUR LEGS.

1220 SERIES



STEP 1

PUSH PLASTIC INSERT INTO BOTTOM OF LEG, AND PUSH THE CASTER INTO THE INSERT.

REPEAT ABOVE PROCEDURE WITH ALL FOUR LEGS.

PN 99300267