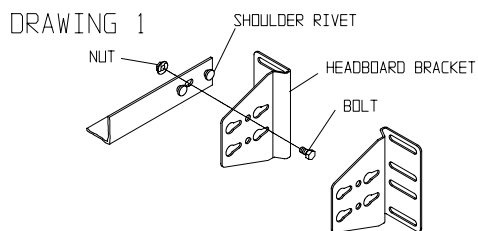


46 W/CLAMPS TWIN & FULL ASSEMBLY INSTRUCTIONS

STEP 1

Mount headboard brackets to shoulder rivets at end of long siderails. Secure tightly with nut and short bolt. Bracket may be reversed to accommodate wide headboards. See drawing 1.



STEP 2

Swing out crossarms to 90 degrees as shown in drawing 2.

STEP 3

Loosely attach L-screw to clamps and slide onto crossarms. See drawing 3.

STEP 4

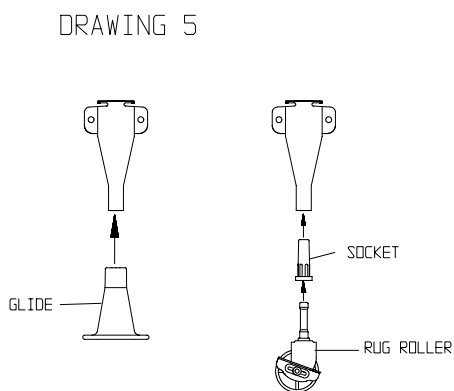
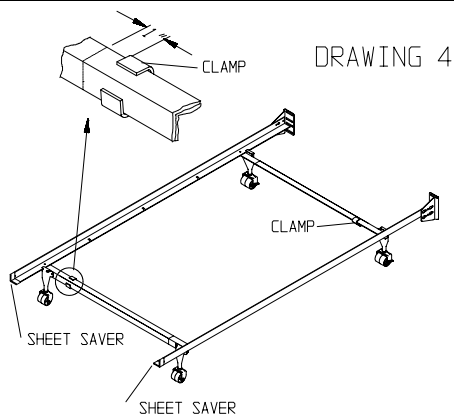
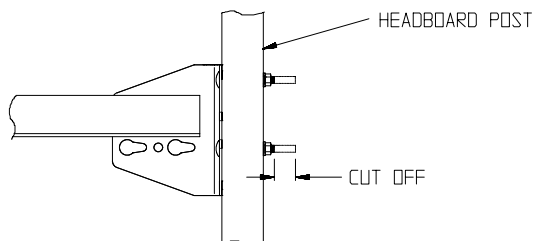
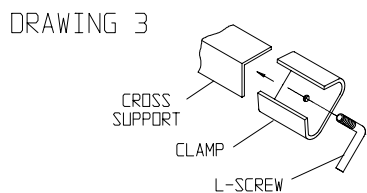
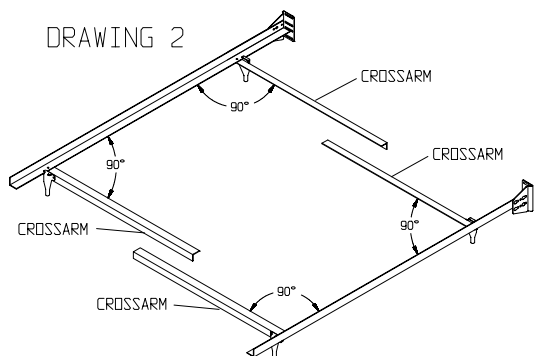
Overlap crossarms to fit mattress, then tighten clamps in place. *NOTE: Clamp should be one inch from end of lower crossarm as shown in drawing 4.*

Insert plastic sheet savers to ends of frame.

STEP 5

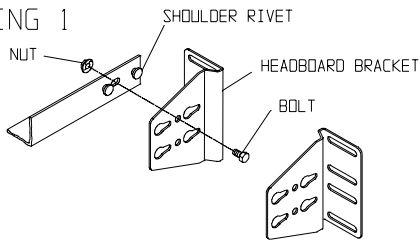
Install rug rollers, or glides on bottom of leg shown in drawing 5. *NOTE: Plastic sockets should be inserted before rug rollers.*

WARNING: WHEN ATTACHING FRAME TO HEADBOARD WITH NARROW POSTS IT IS RECOMMENDED THAT ANY EXCESS BOLT BE CUT OFF AFTER ATTACHMENT. SEE DRAWING BELOW.



K46 W/CLAMPS QUEEN & KING ASSEMBLY INSTRUCTIONS

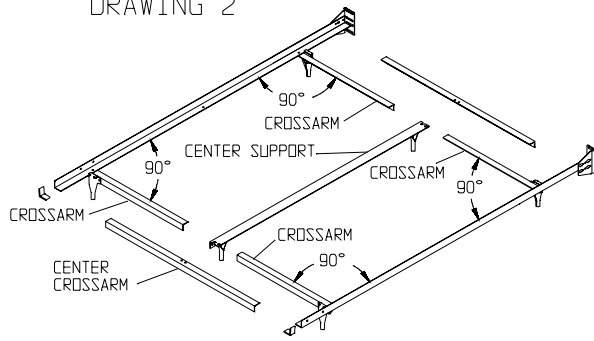
DRAWING 1



STEP 1

Mount headboard brackets to shoulder rivets at end of long siderails. Secure tightly with nut and short bolt. Bracket may be reversed to accommodate wide headboards. See drawing 1.

DRAWING 2



STEP 2

Swing out crossarms to 90 degrees as shown in drawing 2.

STEP 3

Loosely attach L-screw to clamps and slide onto crossarms. See drawing 4.

STEP 4

Place center support with legs pointing up. Insert rivet "A" into notch "A" then pivot so rivet "B" locks into notch "B" as shown in drawing 3.

STEP 5

Overlap crossarms to fit mattress, then tighten clamps in place.

NOTE: Clamp should be one inch from end of lower crossarm as shown in drawing 5.

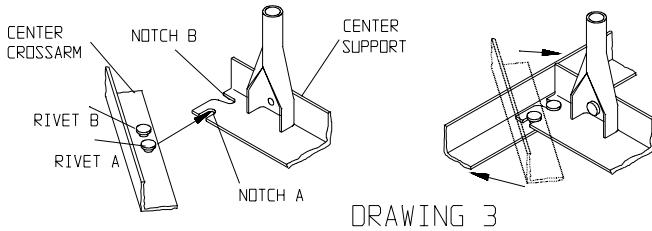
Insert plastic sheet savers to ends of frame.

STEP 6

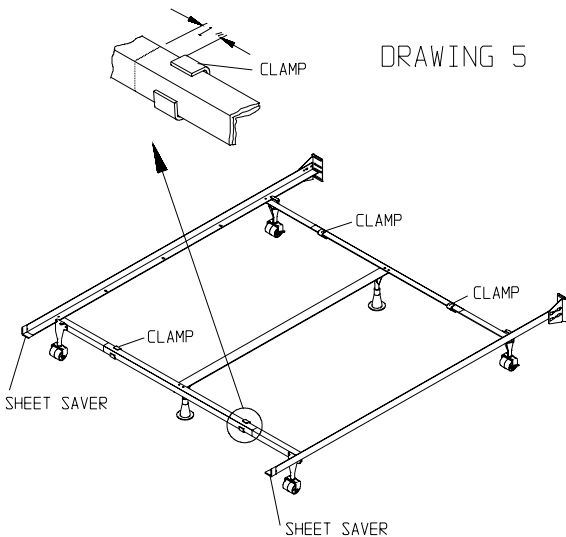
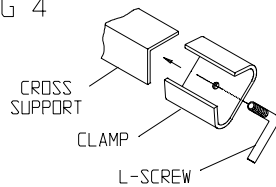
Install rug rollers, or glides on bottom of leg shown in drawing 6.

NOTE: Plastic sockets should be inserted before rug rollers.

SEE OPPOSITE PAGE FOR WARNING NOTE



DRAWING 4



DRAWING 6

