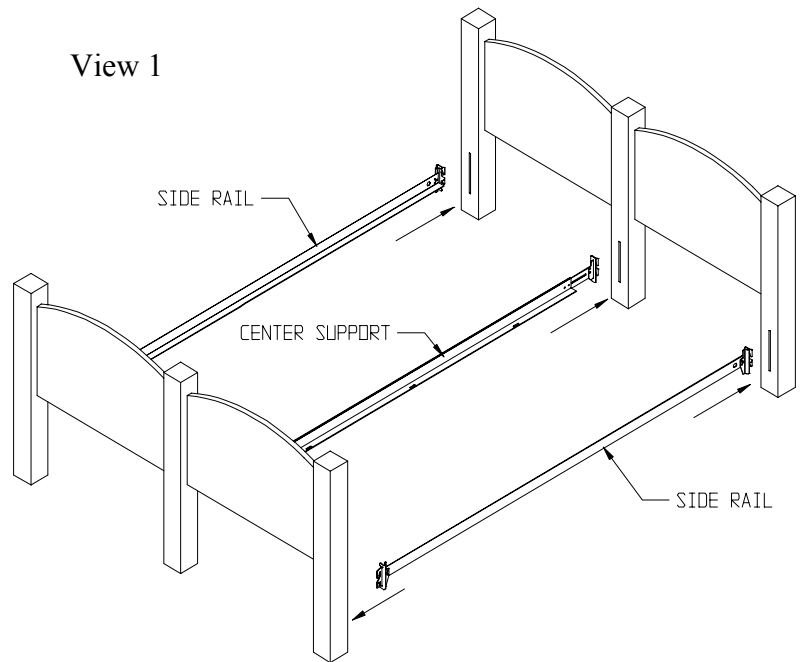


160/15CA Hook-On Rails Assembly Instructions

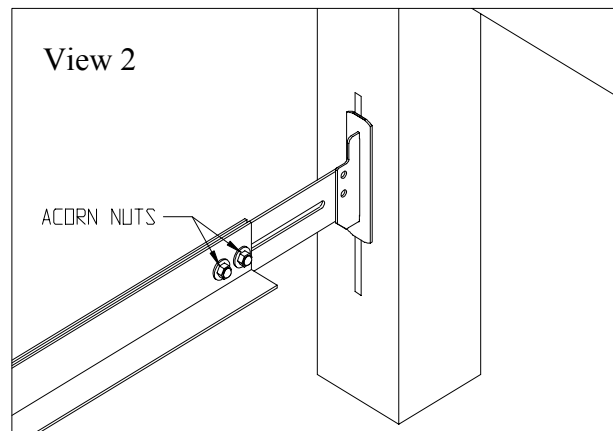
Step 1

Attach side rails and center support to headboard and footboard as shown in View 1.



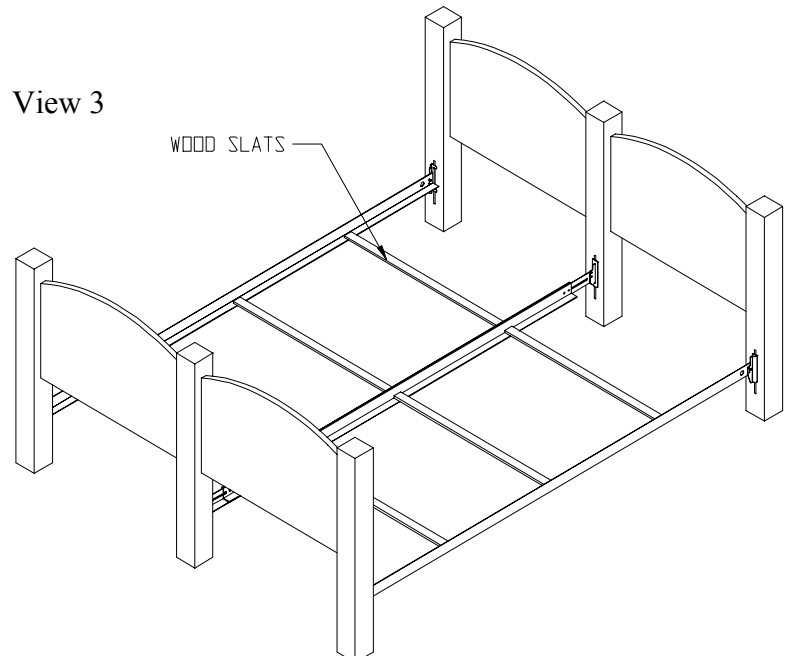
Step 2

At head and foot of center support, tighten acorn nuts into place. See View 2.



Step 3

We recommend placing 6 wood slats between rails as shown in View 3.



Leggett & Platt, Inc.

P.O. Box 140 Linwood, N.C. 27299
(336) 956-5000