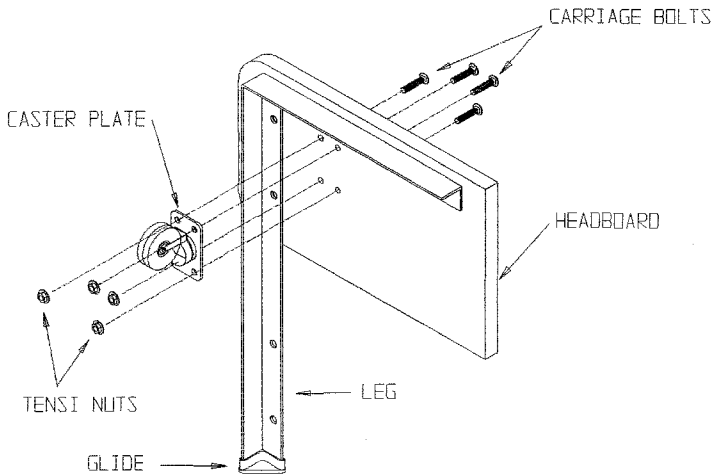
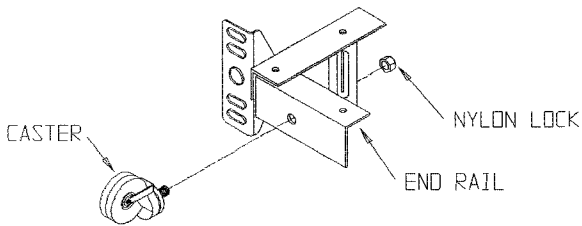


INSTRUCTION SHEET

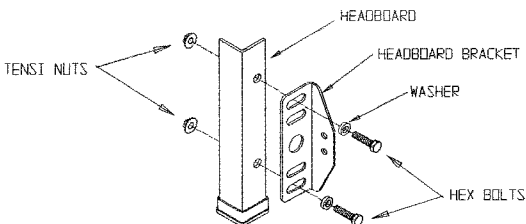
998 STOWAWAY



VIEW 1



VIEW 2



VIEW 3

STEP 1 Attach caster plates to headboard and secure with carriage bolts and tensi nuts. Slide glides onto both legs as shown in View 1.

STEP 2 Attach casters to end rail as shown in View 2. Place bolt of caster through hole in end rail and tighten nylon lock nut.

STEP 3 Attach headboard to headboard brackets as shown in View 3. Using tensi nuts, washers, and hex bolts, secure tightly.

P.N. 99300117

04/20/01