

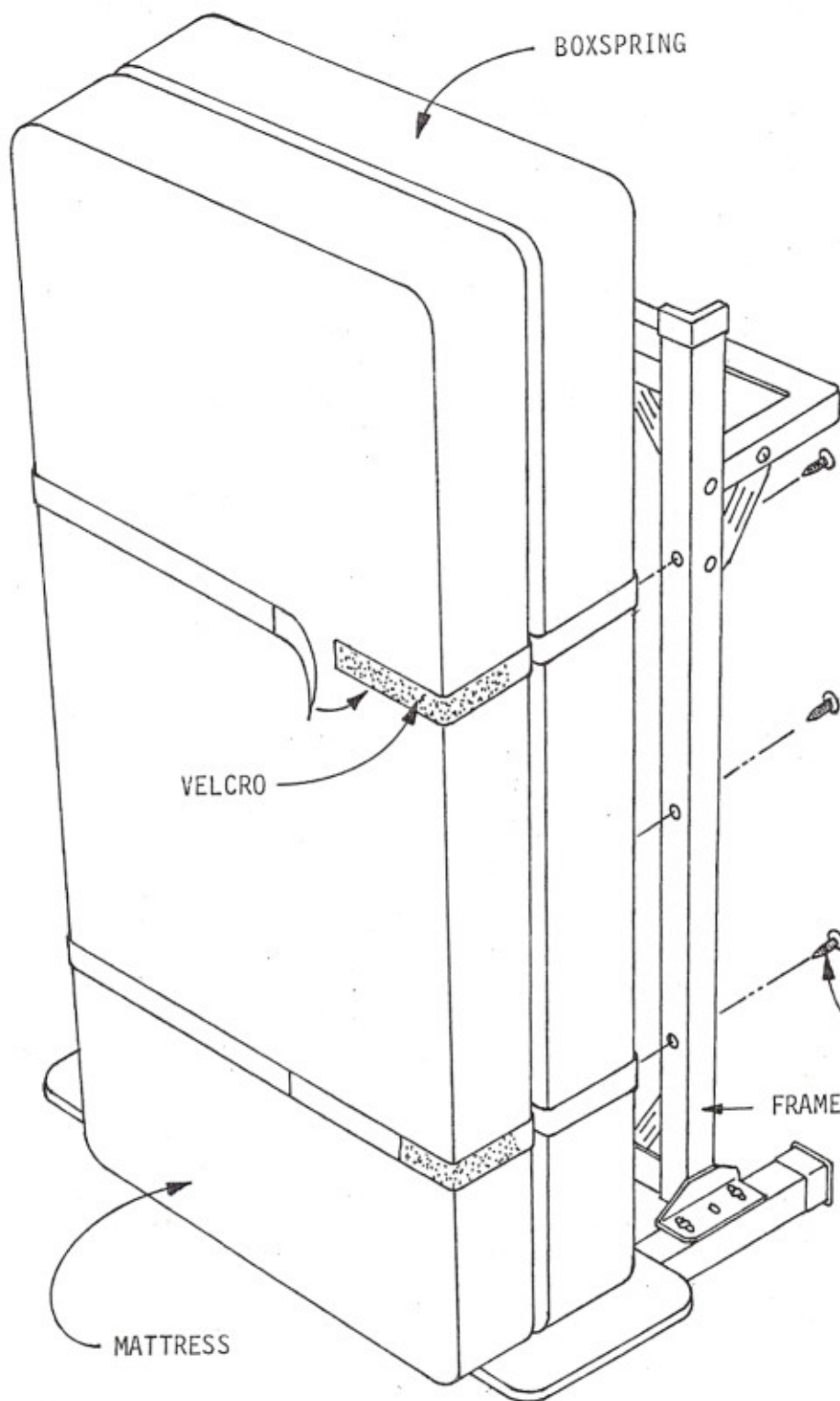
## ASSEMBLY INSTRUCTIONS

**STEP 1** After frame is assembled as shown on other side. Set frame in vertical position as shown in View A.

**STEP 2** Position strapping on boxspring and mattress so that there are equal amounts to turn under both sides of boxspring. See View B

**STEP 3** Attach boxspring to frame using wood screws as shown in View A and B.

Note: Before inserting wood screws pull strapping as tight as possible to the inside of the bed.



VIEW A

View A shows bed in vertical position without boxspring attached to frame.

## NOTE:

X Dimension in View B should be equal on both sides after strapping has been positioned on boxspring.

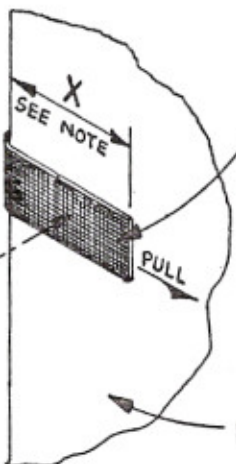
P.N. -99300116

WOOD SCREW

FRAME

STRAPPING

FRAME



BOXSPRING

VIEW B

View B is taken from underside of bed.

WOOD SCREW