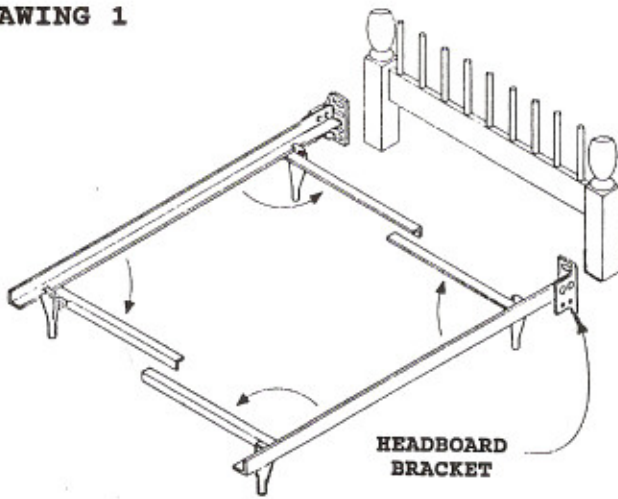


DRAWING 1



ASSEMBLY INSTRUCTIONS

STEP 1 Lay out frame as shown in drawing one, with headboard brackets toward headboard.

STEP 2 Locate two "C" Clamps, two "L" screws and two square nuts. Place square nut inside clamp in recess as shown in drawing two. Thread "L" screw into nut. Repeat for other clamp.

STEP 3 Referring to drawing three; (A) slide clamp onto crossarm so that "L" screw is on the side of the crossarm. (B) overlap crossarms and slide clamp back to where crossarms overlap.

STEP 4 Adjust frame to fit mattress; then tighten clamps securely.

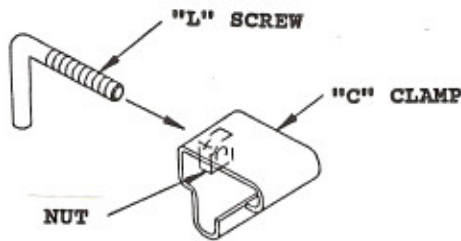
NOTE: Clamp should be one inch from end of lower crossarm as shown in drawing four.

Mount plastic sheet savers to ends of frame.

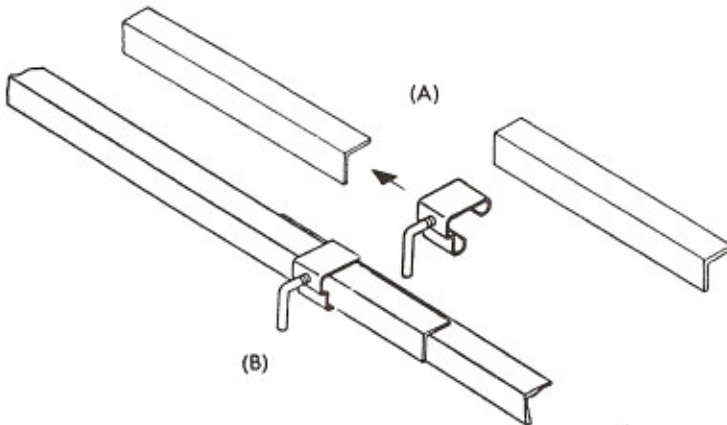
STEP 5 Install casters or glides on bottom of legs as shown in drawing five.

NOTE: Plastic sockets should be inserted before casters.

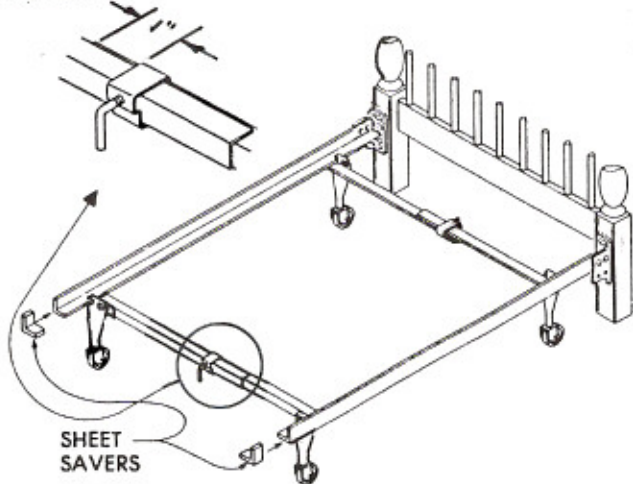
DRAWING 2



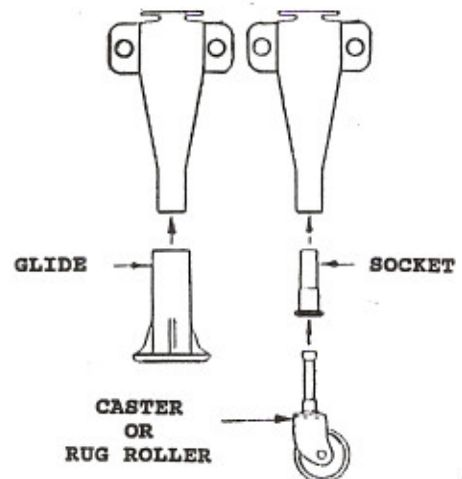
DRAWING 3



DRAWING 4



DRAWING 5



99300090

78-5/92